

AGS Series Control Stations

IP65 Waterproof Stainless Steel Control Stations High Corrosion and Weather Resistant

The AGS series control stations are designed for mounting various models of switches/pilot lights in various combinations. Standard control stations are available with predetermined specifications of cable lead-in holes and switches/pilot lights mounted (contact configurations, voltage, button colors, and nameplates).

- Wide variety of combinations of switches/pilot lights are possible. Select from a wide variety of ø30 TWN/TWND series switches/pilot lights.
- Buff finish available upon request.



Specifications

Degree of Protection (Note 1)	IP65 (IEC60529) Key selector switch: Splash-proof IP54
Material (Box)	Stainless steel plate (thickness 1 mm)
Coating Color (Melamine coating)	Yellow semi-gloss (Munsell 5Y7/1) 1 column: Outside only 2 or 3 column: Both inside and outside
Rated Insulation Voltage	600V
Insulation Resistance	5 MΩ minimum (500V DC megger)
Dielectric Strength (Note 2)	Between live and dead parts: 2500V AC, 1 minute
Standard Operating Conditions	Ambient temperature: -25 to +50°C (no freezing) Relative humidity: 45 to 85% (no condensation)
Enclosure Style	1 to 5 holes × 1 column, 3 to 5 holes × 2 or 3 columns Wall mount/Pole mount
Cable Lead-in (Wall Mount)	Reducer bushing (Gland hub also available) G1 (28 mm) 1 to 3 holes × 1 column: G3/4 (22 mm)
Applicable Switches/Pilot Lights	IDEC ø30 mm TWN/TWND series, AM ammeter (except enclosed type units)

Note 1: Degree of protection depends on the switches/pilot lights mounted on the enclosure. When IP65 switches/pilot lights are mounted, the entire control station has IP65 characteristics. (See page 2)

Note 2: AM ammeter: 2000V AC, 1 minute

Switch/Pilot Light Mounting Holes

The holes for mounting switches/pilot lights are 30.5 mm in diameter with an anti-rotation notch. Mounting centers are 50 mm.

Lead-in Fittings (Wall Mount)

A reducer bushing made of brass is supplied for connecting a steel conduit to lead in cables.

1 column × 1 to 3 holes: With one G3/4 for 22 mm conduit

1 column × 4 or 5 holes: With one G1 for 28 mm conduit

2 columns × 2 or 3 holes: With two G3/4 for 22 mm conduit

2 columns × 4 or 5 holes: With two G1 for 28 mm conduit

3 columns × 2 or 3 holes: With three G3/4 for 22 mm conduit

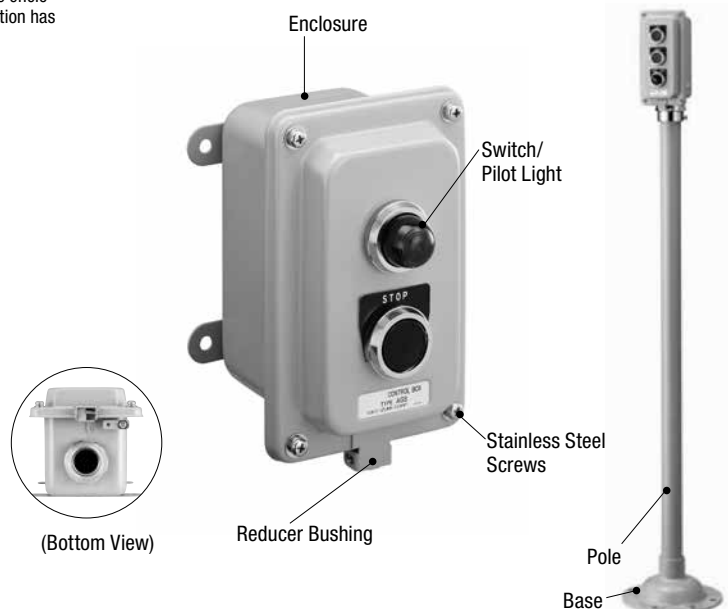
3 columns × 4 or 5 holes: With three G1 for 28 mm conduit

Note: Mounting other than standard (e.g. one bushing for 2 column, one or two bushings for 3 column) is not available. In this case, a plug is supplied.

HNG gland hubs for lead in cables are also available.

Stand Pole (Pole Mount)

The pole is made of carbon steel pipe, and the base is made of cast iron. The coating color is the same as the enclosure, yellow (semi-gloss).



Control Stations with Switches/Pilot Lights

The standard control stations are available with selected combinations of switches/pilot lights as listed below. For the dimensions and mounting centers, see the figures on page 37.

Switches/Pilot Lights Mounted on Standard Control Stations

Switch/Pilot Light	Part No.	Specifications
Pushbutton 	ABN110 *	Flush, 1NO
	ABN101 *	Flush, 1NC
	ABN111 *	Flush, 1NO-1NC
	ABN311R	ø40 mushroom, 1NO-1NC
	HN1E-BV411R	Emergency stop, 1NO-1NC
Pilot Light 	APN116DN *	Dome, 100/110V AC (2W)
	APN126DN *	Dome, 200/220V AC (2W)
Selector Switch 	ASN211N	Knob, 2-position, 1NO-1NC
	ASN320N	Knob, 3-position, 1NO-1NC
	ASN2K11N-N024401	Key, 2-position, 1NO-1NC
Meter 	AM ammeter (See page 38)	Specify capacity (Part No.) Coating color of the meter bezel: N1.5 (polish)

Note: Specify a button or lens color code in place of *:
 Pushbutton: B (black), G (green), R (red)
 Pilot Light: G (green), R (red), W (white)
 Flush pushbuttons are supplied with black, green, and red color caps.

1-column

Package Quantity: 1

Control Station		Mounted Switches/Pilot Lights		
Style	Part No.	Symbol	Part No.	NA Nameplate Legend
Wall Mount 1 hole	AGS1101M		ABN110	ON
	AGS1102M		ABN311R	OFF
	AGS1103M		APN116DNR	Without nameplate
	AGS1105M		ASN211N	HAND-AUTO
	AGS1106M		ASN320N	HAND-OFF-AUTO
	AGS1107M		ASN2K11N-N024401	OFF-ON
	AGS1111M		HN1E-BV411R	EMERGENCY STOP
Pole Mount 1 hole	AGS1101SM		ABN110	ON
	AGS1102SM		ABN311R	OFF
	AGS1111SM		HN1E-BV411R	EMERGENCY STOP
Wall Mount 2 holes	AGS2101M		ABN110 ABN101	ON OFF
	AGS2102M		ABN111 ABN111	ON OFF
	AGS2103M		APN116DNR APN116DNG	Without nameplate
	AGS2104M		APN126DNR APN126DNG	Without nameplate

Degree of protection marked with * is splash-proof IP54.

Control Station		Mounted Switches/Pilot Lights		
Style	Part No.	Symbol	Part No.	NA Nameplate Legend
Wall Mount 2 holes	AGS2105M		APN116DNR ABN111	Without nameplate STOP
	AGS2106M		APN126DNR ABN111	Without nameplate STOP
	AGS2107M		APN116DNR ASN211N	Without nameplate HAND-AUTO
	AGS2108M		APN126DNR ASN211N	Without nameplate HAND-AUTO
	AGS2110M		APN126DNR ASN2K11N-N024401	Without nameplate OFF-ON
	AGS2113M		ABN110 ABN311R	ON OFF
	Pole Mount 2 holes	AGS2101SM		ABN110 ABN101
AGS2107SM			APN116DNR ASN211N	Without nameplate HAND-AUTO
Wall Mount 3 holes	AGS3102M		APN116DNR ABN110 ABN101	Without nameplate ON OFF
	AGS3103M		APN126DNR ABN110 ABN101	Without nameplate ON OFF
	AGS3104M		ABN111 ABN111 ASN211N	ON OFF HAND-AUTO
	AGS3105M		APN116DNW APN116DNR APN116DNG	Without nameplate
	AGS3106M		APN126DNW APN126DNR APN126DNG	Without nameplate
	Pole Mount 3 holes	AGS3102SM		APN116DNR ABN110 ABN101
AGS3104SM			ABN111 ABN111 ASN211N	ON OFF HAND-AUTO

Degree of protection marked with * is splash-proof IP54.

Control Station		Mounted Switches/Pilot Lights		
Style	Part No.	Symbol	Part No.	NA Nameplate Legend
Wall-Pole 4 holes	Wall Mount AGS4101		APN126DNR APN126DNG	Without nameplate Without nameplate
	Pole Mount AGS4101S		ABN111 ABN111	ON OFF
	Wall Mount AGSM4101		(Note) AM ammeter	Without nameplate
	Pole Mount AGSM4101S		ABN111 ABN111	ON OFF
	Wall Mount AGS4102		APN126DNR ABN111	Without nameplate ON
	Pole Mount AGS4102S		ASN211N	OFF HAND-AUTO
Wall-Pole 5 holes	Wall Mount AGS5101		APN126DNR APN126DNG	Without nameplate Without nameplate
	Pole Mount AGS5101S		ABN111 ASN211N	ON OFF HAND-AUTO
	Wall Mount AGSM5101		(Note) AM ammeter	Without nameplate
	Pole Mount AGSM5101S		APN126DNR ABN111	Without nameplate ON OFF

Note: Specify the Part No. of the meter to select a required capacity.

2-column Package Quantity: 1

Control Station		Mounted Switches/Pilot Lights		
Style	Part No.	Symbol	Part No.	NA Nameplate Legend
Wall-Pole 3 holes	Wall Mount AGS3801		ABN111	ON
	Pole Mount AGS3801S		ASN211N	OFF HAND-AUTO
	Wall Mount AGS3802		APN126DNR ABN111	Without nameplate ON
	Pole Mount AGS3802S		ABN111	OFF
Wall-Pole 4 holes	Wall Mount AGS4801		APN126DNR APN126DNG	Without nameplate Without nameplate
	Pole Mount AGS4801S		ABN111 ABN111	ON OFF
Wall-Pole 5 holes	Wall Mount AGS5801		APN126DNR APN126DNG	Without nameplate Without nameplate
	Pole Mount AGS5801S		ABN111 ASN211N	ON OFF HAND-AUTO
	Wall Mount AGSM5801		(Note) AM ammeter	Without nameplate
			APN126DNR ABN111	Without nameplate ON OFF

Note: Specify the Part No. of the meter to select a required capacity.

3-column Package Quantity: 1

Control Station		Mounted Switches/Pilot Lights		
Style	Part No.	Symbol	Part No.	NA Nameplate Legend
Wall-Pole 3 holes	Wall Mount AGS3901		ABN111	ON
	Pole Mount AGS3901S		ASN211N	OFF HAND-AUTO
	Wall Mount AGS3902		APN126DNR ABN111	Without nameplate ON
Pole Mount AGS3902S	ABN111		OFF	
Wall-Pole 4 holes	Wall Mount AGS4901		APN126DNR APN126DNG	Without nameplate Without nameplate
	Pole Mount AGS4901S		ABN111 ABN111	ON OFF
Wall-Pole 5 holes	Wall Mount AGS5901		APN126DNR APN126DNG	Without nameplate Without nameplate
	Pole Mount AGS5901S		ABN111 ASN211N	ON OFF HAND-AUTO
	Wall Mount AGSM5901		(Note) AM ammeter	Without nameplate
	Pole Mount AGSM5901S		APN126DNR ABN111	Without nameplate ON OFF

Note: Specify the Part No. of the meter to select a required capacity.

Ordering Information

When ordering control stations with switches/pilot lights:
Specify the Part No. of the control station.

When ordering enclosures without switches/pilot lights, specify the following items.

1. Part No. of the enclosure
2. Part No. and specifications of the switches/pilot lights to be mounted (lens color, button color, etc.)
3. Nameplate
4. Lead-in fitting
Only when ordering the gland hub for leading in cables, specify Part No. and the cable outside diameter (R).
5. Other specifications

Ordering Example

	Part No. of Enclosure	AGS
	①②	APN126DNR
	③④	APN126DNG
	⑤⑥	ABN210B, with NA-1
	⑦⑧	ABN201R, with NA-2
	⑨⑩	ASN211N, with NA-32
	Switch/Pilot Light and Nameplate	

Note: Any ø30 mm TWN/TWND series switches/pilot lights are selectable. Take into consideration the degree of protection of the switch/pilot light and the effective depth of the enclosure.

Empty Enclosures

Package Quantity: 1

Style		1 column × 1 or 2 holes			1 column × 3 holes		1 column × 4 or 5 holes		
Part No.	Coating	AGS210M	AGS211M	AGS212M	AGS310M	AGS311M	AGS411	AGS510	AGS511
	Buffing	AGS210M-BUFF	AGS211M-BUFF	AGS212M-BUFF	AGS310M-BUFF	AGS311M-BUFF	AGS411-BUFF	AGS510-BUFF	AGS511-BUFF
Shape									
Weight (Approx.)		1.2 kg			1.6 kg		2.4 kg		
Style		2 columns × 3 holes			2 columns × 5 holes		3 columns × 3 holes		3 columns × 5 holes
Part No.	Coated	AGS380	AGS381	AGS580	AGS581	AGS390	AGS391	AGS590	AGS591
	Buff	AGS380-BUFF	AGS381-BUFF	AGS580-BUFF	AGS581-BUFF	AGS390-BUFF	AGS391-BUFF	AGS590-BUFF	AGS591-BUFF
Shape									
Weight (Approx.)		3.8 kg			4.6 kg		4.8 kg		6.5 kg
• Switch/Pilot Light Mounting Holes		• Effective Depth inside the Enclosure (From the lid surface to the inside bottom)			(1-column)		(2- or 3-column)		
		* AGS210, 310: 104							
		* AGS210M, 310M: 104							
		* AGS510: 105							
							All dimensions in mm.		

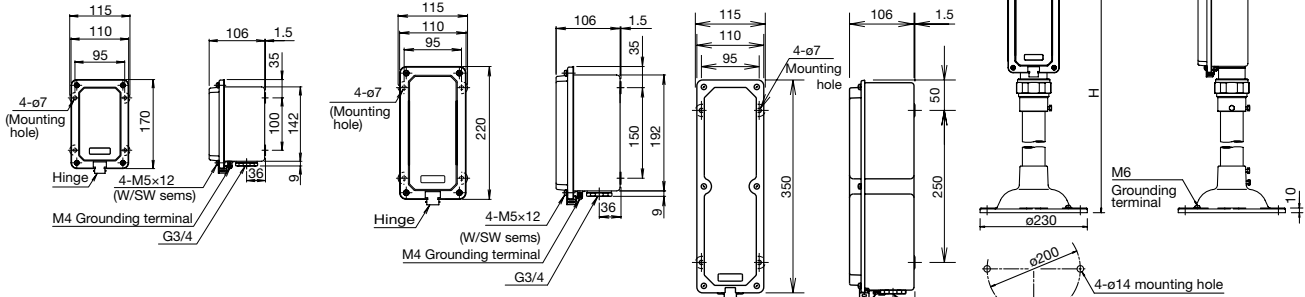
Dimensions

All dimensions in mm.

1- or 2-hole × 1 column

3-hole × 1 column

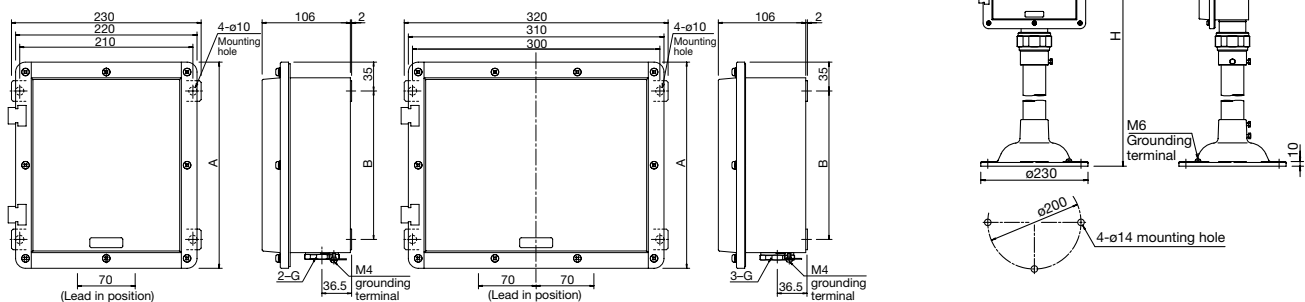
4- or 5-hole × 1 column



		1 hole	2 holes	3 holes	4/5 holes
H		1320	1370	1500	
Weight (Approx.)	Wall Mount	1.2 kg	1.6 kg	2.4 kg	
	Pole Mount	6.8 kg	7.2 kg	8.0 kg	

2-, 3-, 4- or 5-hole × 2 columns

2-, 3-, 4- or 5-hole × 3 columns



		2-column				3-column			
		2 holes	3 holes	4 holes	5 holes	2 holes	3 holes	4 holes	5 holes
A		250		350		50		350	
B		180		280		180		280	
H		1400		1500		1400		1500	
G		3/4 (22 mm)		1 (28 mm)		3/4 (22 mm)		1 (28 mm)	
Weight (Approx.)	Wall Mount	3.8 kg		4.6 kg		4.8 kg		6.5 kg	
	Pole Mount	9.3 kg		10.4 kg		10.6 kg		12.2 kg	